

FR7 Handhold Teaching BOX



- 7.0 inch 800*480 TFT LCD
- Economic frame, silicon metal dome film button.
- Industrial power source module, strong anti-interference.
- USB host, supporting U-disk, USB, keyboard, expanding devices etc.
- The mainboard surface is with spray coating treatment and applicable to various harsh environment.
- Safe enabled switches , key switches , self-locked switches with light.
- Safe emergency stop switches .
- Complied with RoHS.

Display	7" TFT LCD
Resolution(W×H)	800×480
Colors	24-bit Colors
Brightness	450 cd/m ²
Backlight	LED
Backlight Life	50000 Hrs
Touch Panel	4 wires resistive touch screen
CPU	600MHz ARM Cortex-A8
Memory	128MB Flash + 128MB DDR3 DRAM
RTC	Built in
Ethernet	100M
USB Port	USB Host Port2.0*1
Operating System	LINUX / WINDOWS CE
Press Button	One 3-stage safe enabled switch, one key switch
Press Key	One self-locked switch, one safe emergency stop switch, 12 programmable silicon keys

Electrical Specifications

Power Consumption	< 8W
Input Power	DC24V , Input Range : DC 9V~32V
Power Protection	Protected from thunder strike and surging
Power Down Allowed	< 5mS
CE & RoHS	Complied with EN61000-6-2:2005 , EN61000-6-4:2007, CE,RoHS, Surge Immunity:±1KV , EFT:±2KVESD:4KV , Air:8KV

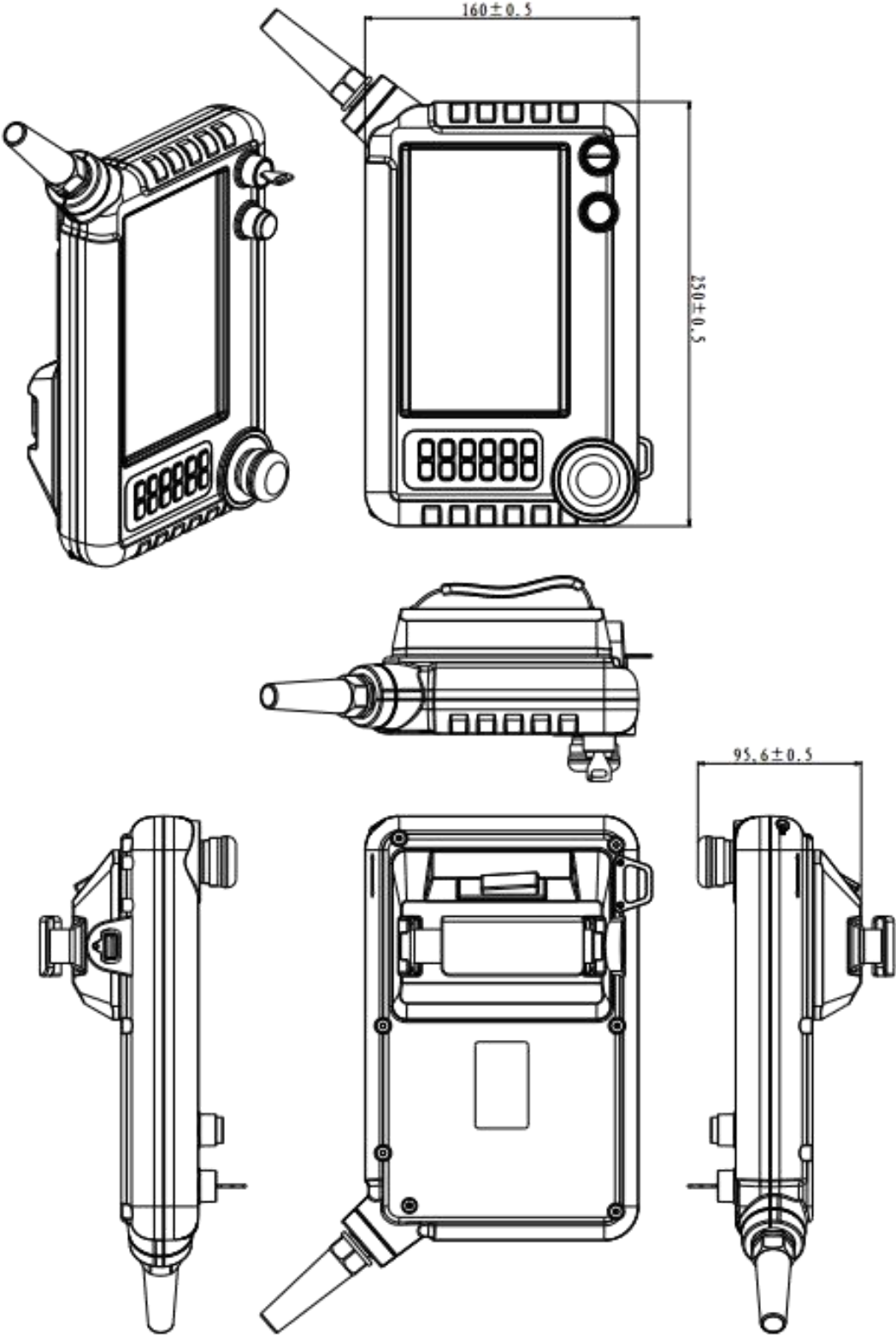
Environment Specifications

Operating Temperature	0~50°C
Storage Temperature	-25~60°C
Operating Humidity	10~90%RH (No condensation)
Vibration Endurance	10~25Hz (X、 Y、 Z 2G/30min)
Cooling	Natural cooling

Others

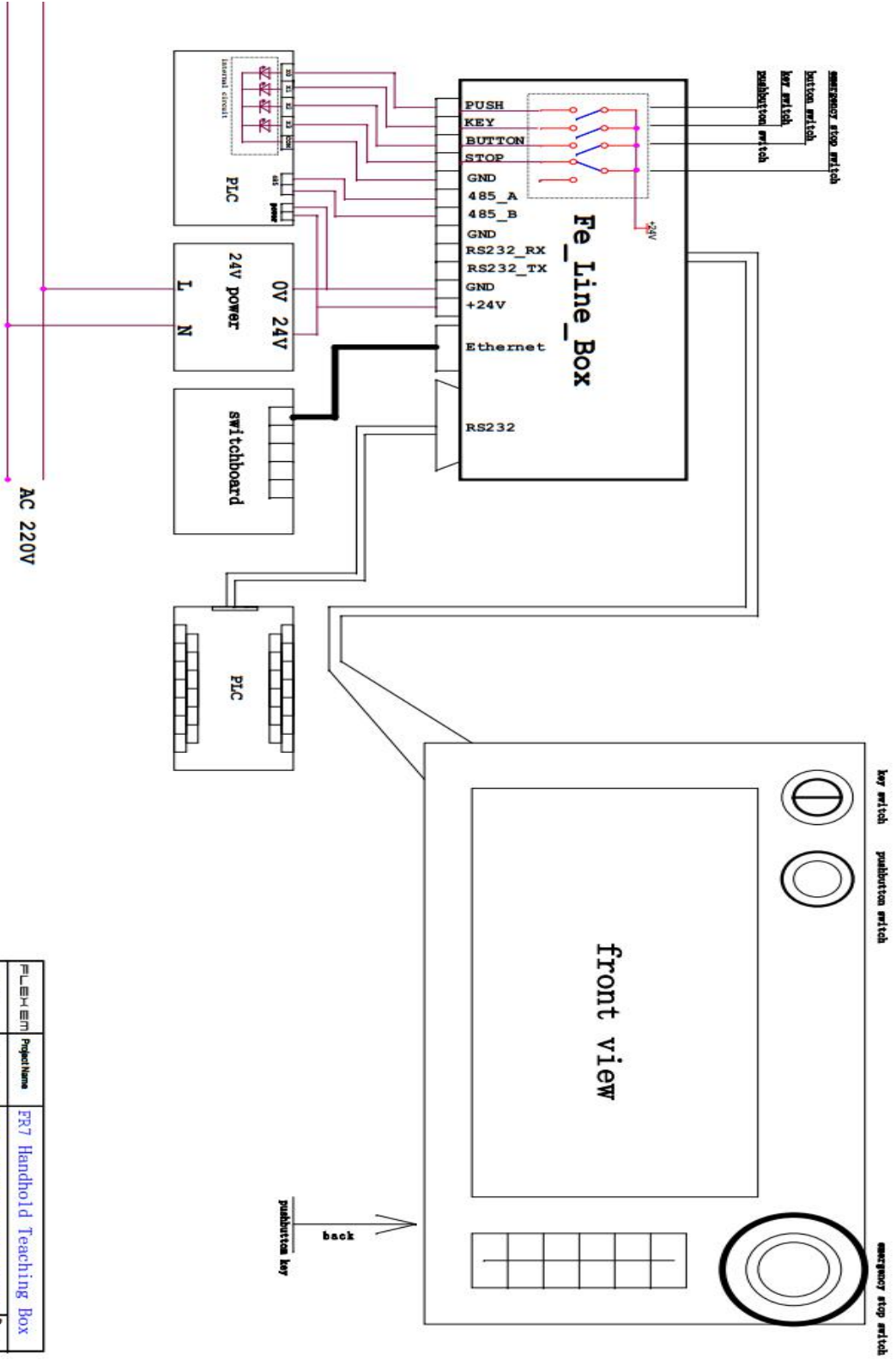
Degree of Protection	IP20
Shell Material	ABS
Dimension	250×160×95 (mm)
Weight	About 900g

Dimension



Wiring diagram

Illustration 2: RS232 on junction box for the same serial port, connected together internal, but the external interface is different



FLH-EM	ProjectName	FR7 Handhold Teaching Box
Size B	Schematic Name	FR7 wiring diagram
Design Date	Sheet	1 of 1
Company	Designer	Dong Wenchao