

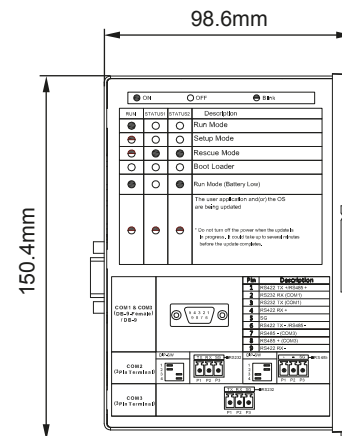
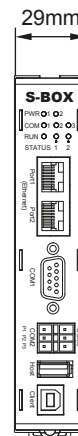
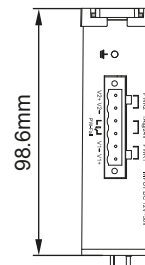
S-BOX

SX32 Installation Guide

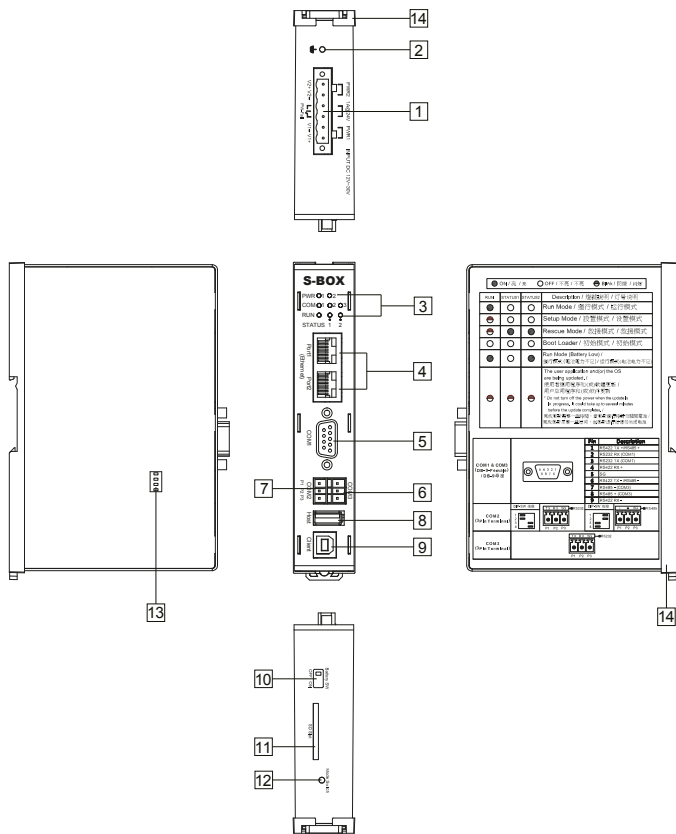


A. Hardware

A-1. Outlet Dimension



A-2. Function View



(page 3 for detail)

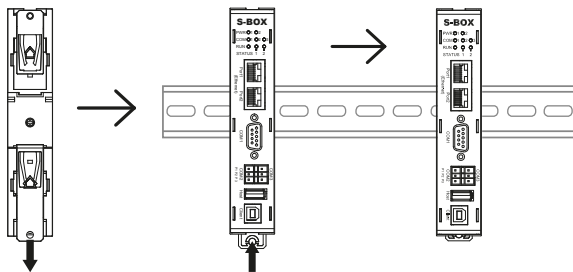
- 1 Power Connector
- 2 FG
- 3 LED Indicators
- 4 Ethernet Port
- 5 COM1/3 9Pin Female D-Sub Connector / COM1/3 9Pin
- 6 COM3 3Pin-Terminal
- 7 COM2 3Pin-Terminal
- 8 USB Host Connector
- 9 USB Client Connector
- 10 Battery Switch
- 11 SD Slot
- 12 Mode Switch
- 13 COM2 DIP Switch
- 14 Fixed Locks for DIN-Rail

A-3. Installation Drawing

• Method 1: DIN-Rail Mounting (35mm)

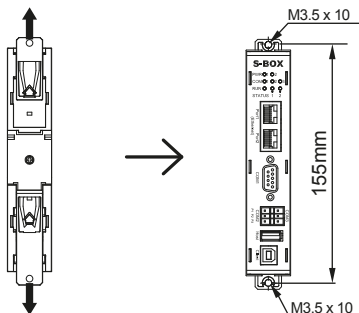
Step1. Pull Out the Fixed Locks for DIN-Rail.

Step2. Install Machine on DIN-Rail and Pull Back the Fixed Locks for Fastening.



• Method 2: Panel Mounting

Fasten Screws Through Fixed Locks that already pulled out.



A-4. Dispose of Batteries



Dispose of batteries according to local regulations.



100% battery capacity can hold for 5 months without power supply in general environment. Please charge at least 72hrs within the hold up time. The data in the memory may be incorrect under low battery condition. (Battery SW should be at ON status)

A-5. About Battery SW



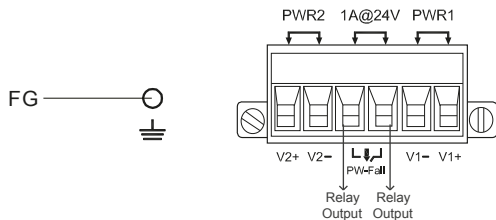
Battery SW

- When switches from OFF to ON, the S-BOX needs to reset RTC and clear recorded data. /
- Suggests to turn the switch to OFF when the machine is not going to run for a long time to avoid low battery voltage and short battery life time./
- When keep the switch at OFF stage, the machine can still work by external power but will not record any data. /

A-6. Power Supply



Powered by a Low Voltage / Limited Energy power source.



Relay Output: *The relay opens if power input 1 or 2 fails.

*Support 1 digital Relay Output to alarm indicator, buzzer or other signaling equipment.

*Current carrying capacity 1A@24 VDC

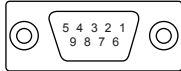
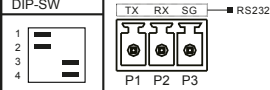
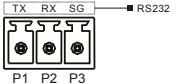


Do not disassemble the machine when power is applied.



Be sure that the power supply has enough power capacity for the operation of the equipment.

A-7. Connections

		Pin	Description
			1
COM1 & COM3 (DB-9-Female) / DB-9		2	RS232 RXD (COM1)
		3	RS232 TXD (COM1)
		4	RS422 RXD+
		5	SG
		6	RS422 TXD-/RS485-
		7	RS485 - (COM3)
		8	RS485 + (COM3)
		9	RS422 RXD-
		COM2 (3Pin Terminal)	DIP-SW
			
COM3 (3Pin Terminal)			

A-8. Download Cable

COM1			
COM1 Connector / COM1 - 9 Pin			PC Connector
RXD	2	3	TXD
TXD	3	2	RXD
SG	5	5	SG
COM2 / COM3			
COM2 & COM3 - 3 Pin			PC Connector
SG	3	5	SG
TXD	1	2	RXD
RXD	2	3	TXD

*USB Download Cable Model No. / FCB-XD0-023

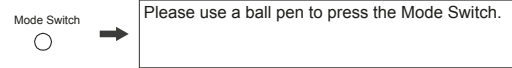
A-9. LED Indicators



Name / Color	Status	Description
PWR1/Green	●	Power 1 is connected and supplied.
PWR2/Green	●	Power 2 is connected and supplied.
COM1/Green	◐	COM1 is communicated with equipment.
COM2/Green	◐	COM2 is communicated with equipment.
COM3/Green	◐	COM3 is communicated with equipment.

RUN (Green)	STATUS1 (Yellow)	STATUS2 (Yellow)	Description
●	○	○	Run mode; The user application is running.
◐	○	○	Setup mode /
◐	●	●	Rescue Mode is running. /
○	○	○	Boot Loader is waiting for command. /
●	○	●	Run mode (Battery low) /
◐	◐	◐	The user application and(or) the OS are being updated. / * Do not turn off the power when the update is in progress. It could take up to several minutes before the update completes. /

A-10. Mode Switch



Mode	Description
Rescue Mode	<p>STEP1. Pressing the switch and turn on the power of the S-Box.</p> <p>STEP2. <u>Keep pressing and waiting six seconds</u> with LED signal sequence.</p> <p>LED signal sequence</p> <p>STEP3. Release the switch.</p>
Setup mode	<p>STEP1. Pressing the switch and turn on the power of the S-Box.</p> <p>STEP2. <u>Keep pressing and waiting nine seconds</u> with LED signal sequence.</p> <p>LED signal sequence</p> <p>STEP3. Release the switch.</p>

MEMO