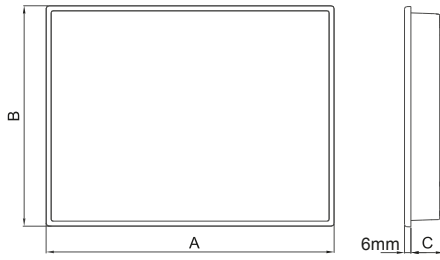
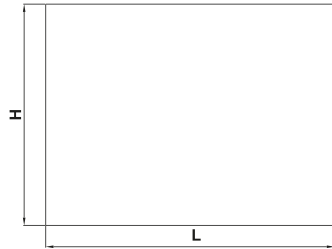


PK Series HMI Panels

Outlet Dimension



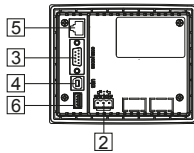
Cut Out Dimension



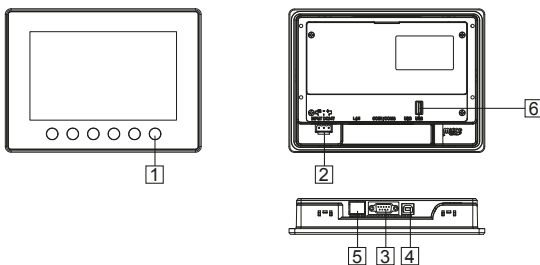
| Model | A | B | C | L | H |
|-----------|----------------|---------------|--------------|----------------|---------------|
| PK043-WST | 130mm/5.12" | 106.2mm/4.18" | 39mm/1.54" | 119mm/4.69" | 93mm/3.66" |
| PK070-WFT | 203.5mm/8.01" | 149.0mm/5.87" | 33mm/1.30" | 192mm/7.56" | 138.5mm/5.45" |
| PK100-WFT | 270.1mm/10.63" | 212.1mm/8.35" | 42.5mm/1.67" | 259.5mm/10.22" | 201.5mm/7.93" |
| PK121-TST | 335.4mm/13.20" | 245.9mm/9.68" | 54.8mm/2.16" | 301.5mm/11.87" | 228mm/8.98" |

Function View

PK043



PK070 / PK100



1 Front Function Key (only for PK070/100)

2 Power connector

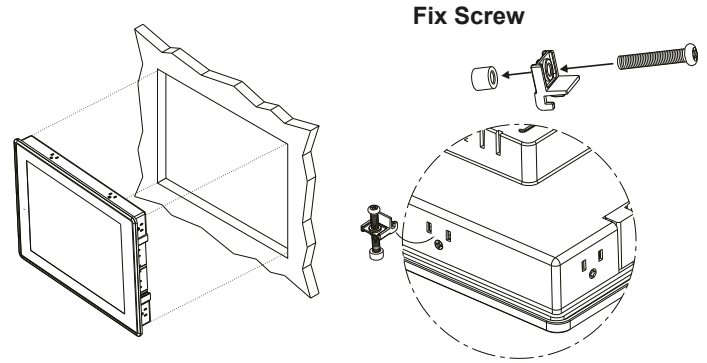
3 COM1/COM3 9Pin Female

4 USB Client

5 Ethernet Port

6 USB Host

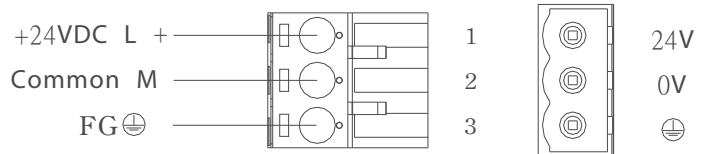
Installation Drawing



! Screw each fixing screw until the bezel corner gets in contact with the panel.

Power Supply

! Powered by a Low Voltage / Limited Energy power source.



! Do not disassemble the machine when power is applied.

! Be sure that the power supply has enough power capacity for the operation of the equipment.

Dispose of batteries



! Dispose of batteries according to local regulations.

Pin Assignment of Serial Port

| COM1 & COM3 (DB-9-Female)/DB-9 | | Pin | Description |
|--------------------------------|-------------------|-----|-------------------|
| | | 1 | RS422 TXD+/RS485+ |
| 2 | RS232 RXD(COM1) | | |
| 3 | RS232 TXD(COM1) | | |
| 4 | RS422 RXD+ | | |
| 5 | SG | | |
| 6 | RS422 TXD-/RS485- | | |
| 7 | RS485 - (COM3) | | |
| 8 | RS485 + (COM3) | | |
| 9 | RS422 RXD- | | |

The products have been designed for use in an industrial environment in compliance with the 2004/108/EC directive.

The products have been designed in compliance with:

- EN 61000-6-4: 2007
- EN 61000-3-2: 2006 +A1: 2009 +A2: 2009
- EN 61000-3-3: 2008
- EN 61000-6-2: 2005

IEC 61000-4-2: 2008; IEC 61000-4-3: 2006 + A1: 2007;
IEC 61000-4-4: 2004; IEC 61000-4-5: 2005; IEC 61000-4-6: 2008
IEC 61000-4-8: 2009; IEC 61000-4-11: 2004

The installation of these devices into the residential, commercial and light-industrial environment are allowed only in the case that special measure are taken in order to get the conformity to IEC-61000-6-3 \

Reproduction of the contents of this copyrighted document, in whole or part without written permission of Cermate Technologies Inc., is prohibited. \